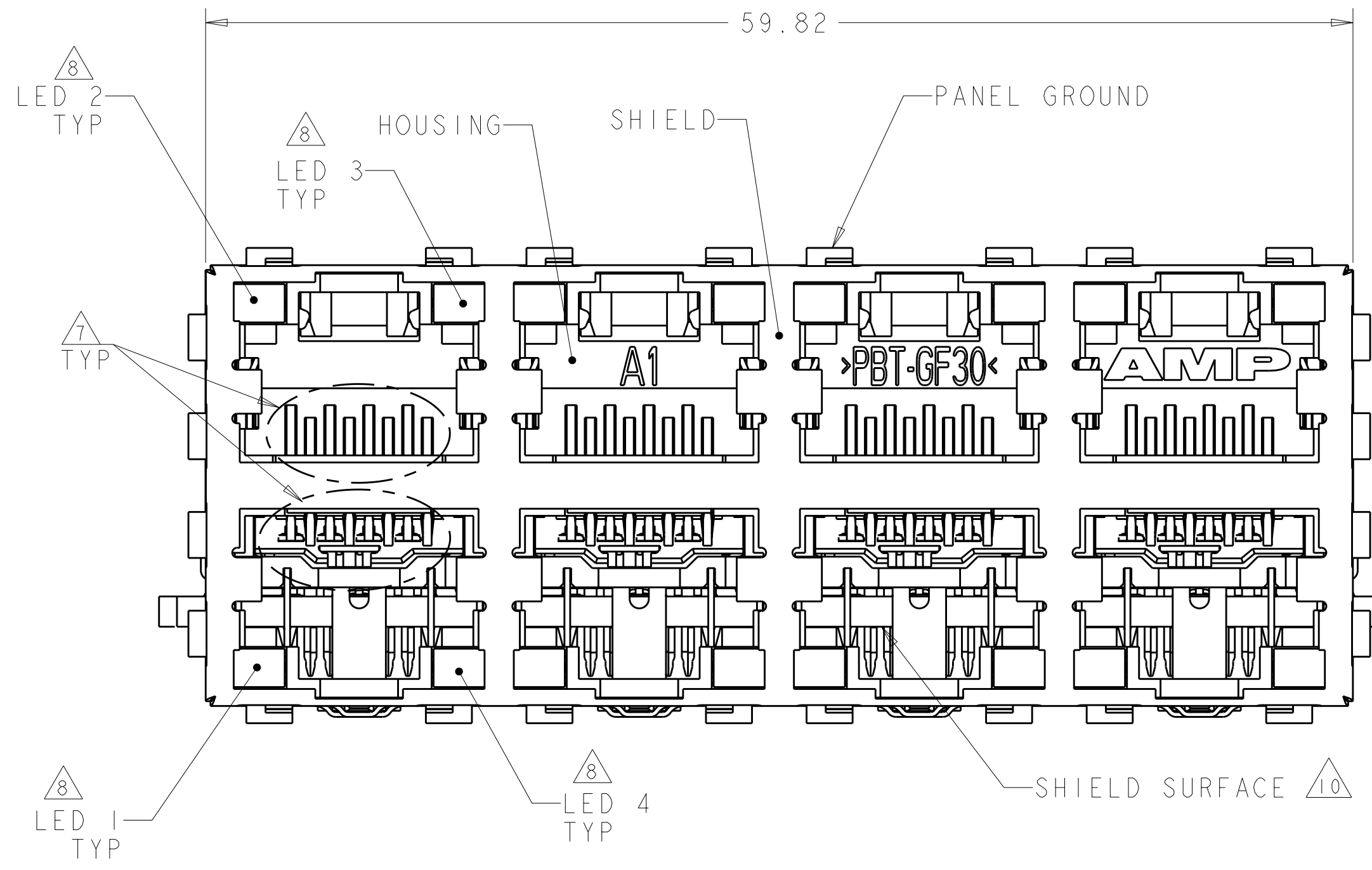
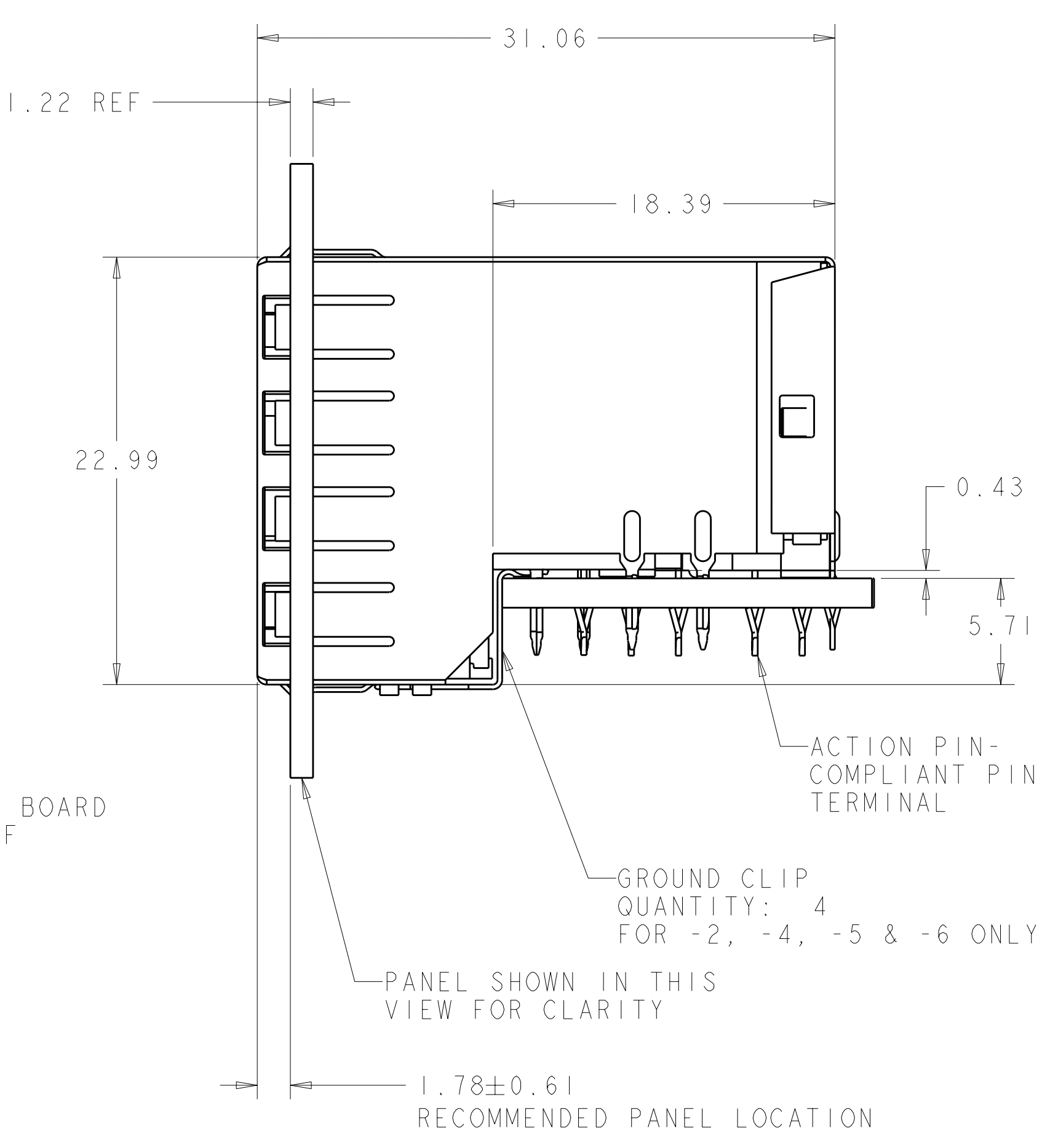


LOC	DIST	REV	DATE	BY	APPD
AA	22				

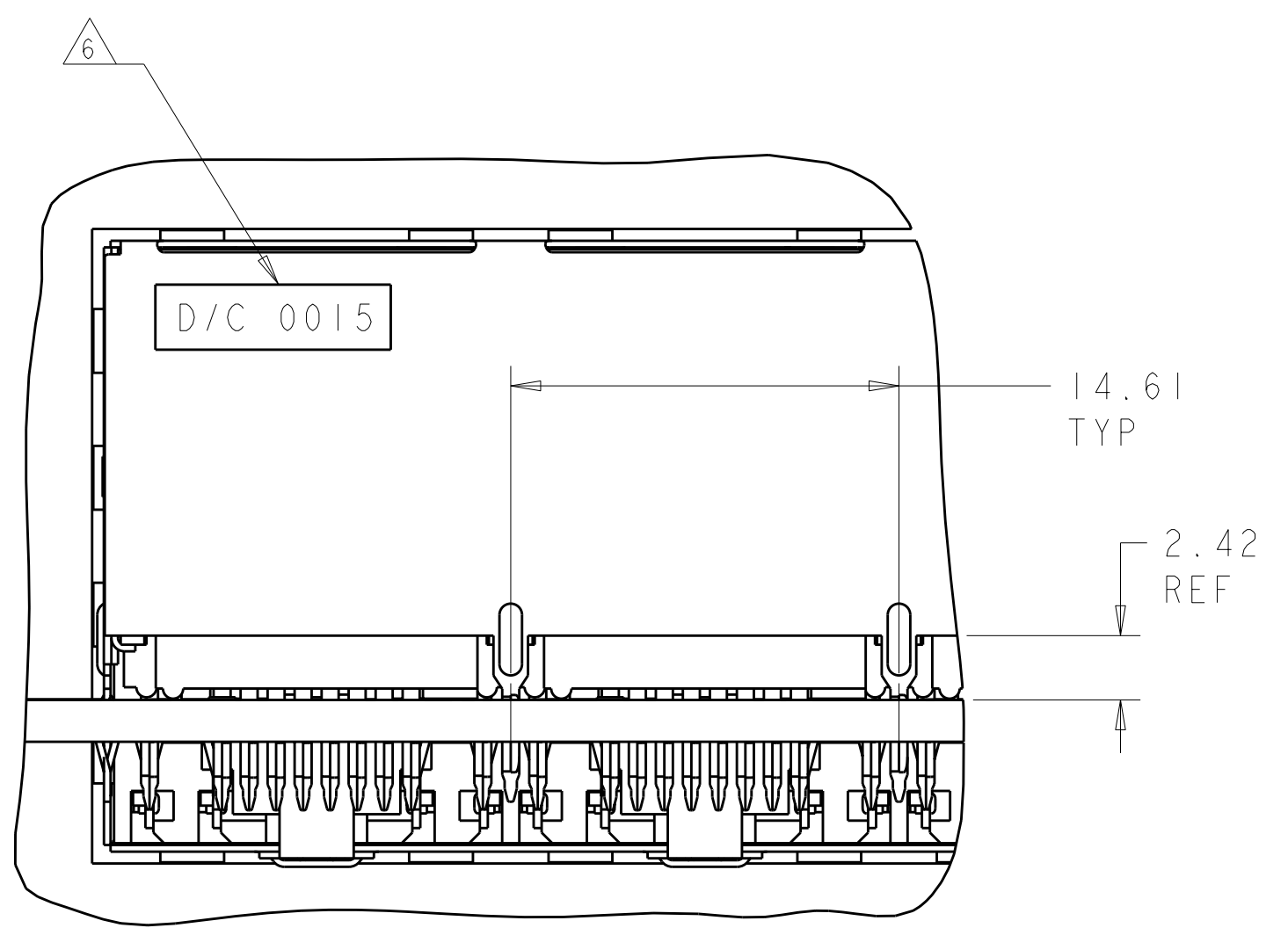
REVISIONS		DATE	BY	APPD
A	ECOS11-0201-04	15APR2005	LAM	SF
B	EC00-06-017094	19JUL2006	LAM	JW
C	REV PER ECO-07-004617	20MAR2007	RG	JW
C1	ECR-08-028606	13NOV2008	JY	SY



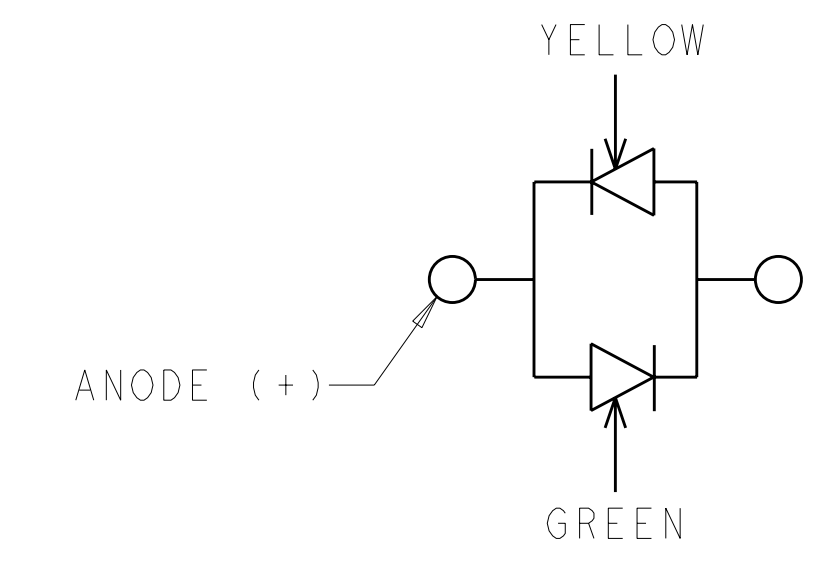
P/N 6368062-2 SHOWN



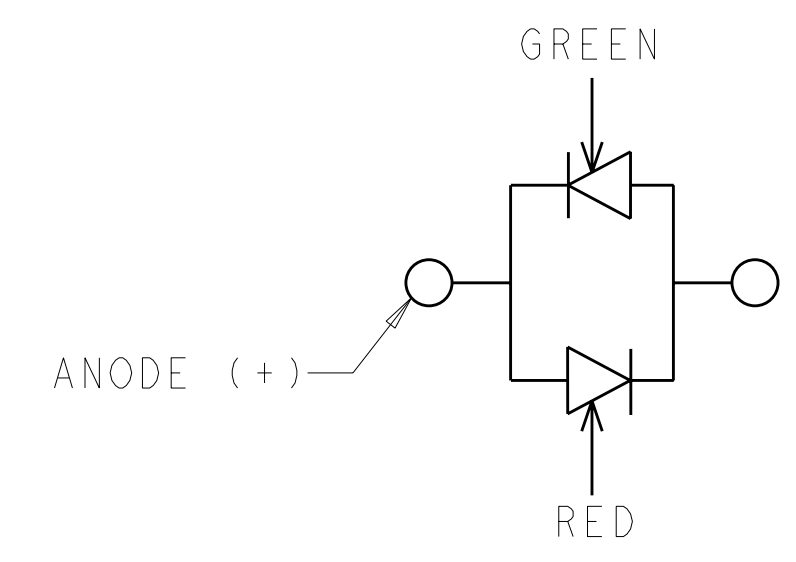
- MATERIAL:
HOUSING
 PBT POLYESTER, BLACK, UL 94V-0.
TERMINALS
 0.33 THICK PHOSPHOR BRONZE PLATED WITH 1.27µm MINIMUM THICK HARD GOLD IN LOCALIZED AREA AND 3.81µm MINIMUM THICK MATTE TIN IN ACTION PIN COMPLIANT PIN TERMINAL AREA OVER 1.27µm MINIMUM THICK NICKEL UNDERPLATE.
SHIELD
 0.25 THICK COPPER ALLOY PLATED WITH 2.03µm MINIMUM BRIGHT TIN OVER 1.27 µm MINIMUM NICKEL
LIGHT EMITTING DIODE (LED)
 DIFFUSED EPOXY LENS, 12.95 CARBON STEEL WIREFRAME LEADS PREPLATED WITH 8.89 µm THICK Sn/Cu OVER 2.03 µm THICK Ag OVER 1.02 µm THICK Cu OVER 3.56 µm THICK Ni OVER 1.02 µm THICK Cu UNDERPLATE
LED ACTION PIN - COMPLIANT PIN CONTACTS
 0.3 THICK BRASS PLATED WITH 2-4µm BRIGHT TIN.
- JACK CAVITY CONFORMS TO FCC RULES AND REGULATIONS, PART 68 SUBPART F.
- ALL DIMENSIONS ARE NOMINAL UNLESS OTHERWISE SPECIFIED.
- DRILLED HOLE DIA = 1.02±.025.
 COPPER THICKNESS = 0.025-0.075.
 TIN LEAD THICKNESS = 0.008 MIN.
- DATUMS AND BASIC DIMENSIONS ESTABLISHED BY CUSTOMER.
- DATE CODE LOCATED ON REAR OF PART APPROXIMATELY AS SHOWN.
- CONTACTS ARE NOT INTENDED TO BE ALIGNED WITH EACH OTHER.
- SUGGESTED OPERATING CURRENT FOR LEDS IS 20 mA.
- TWO LEDS PER PORT, SIZE .079 X .118, SEE TABLE FOR COLOR
- CLEAR 0.038 MIN THICK SURFACE PROTECTION TAPE APPLIED TO SHIELD SURFACE. FILM DOES NOT HAVE CUTOUTS IN EACH PORT. REMOVE TAPE PRIOR TO MATING A MODULAR PLUG TO THE JACK
- MATERIAL:
SHIELD
 0.25 THICK COPPER ALLOY PLATED WITH 1.27 µm MINIMUM SATIN NICKEL.
 THE PART NUMBER 6368062-7 IS PRELIMINARY.



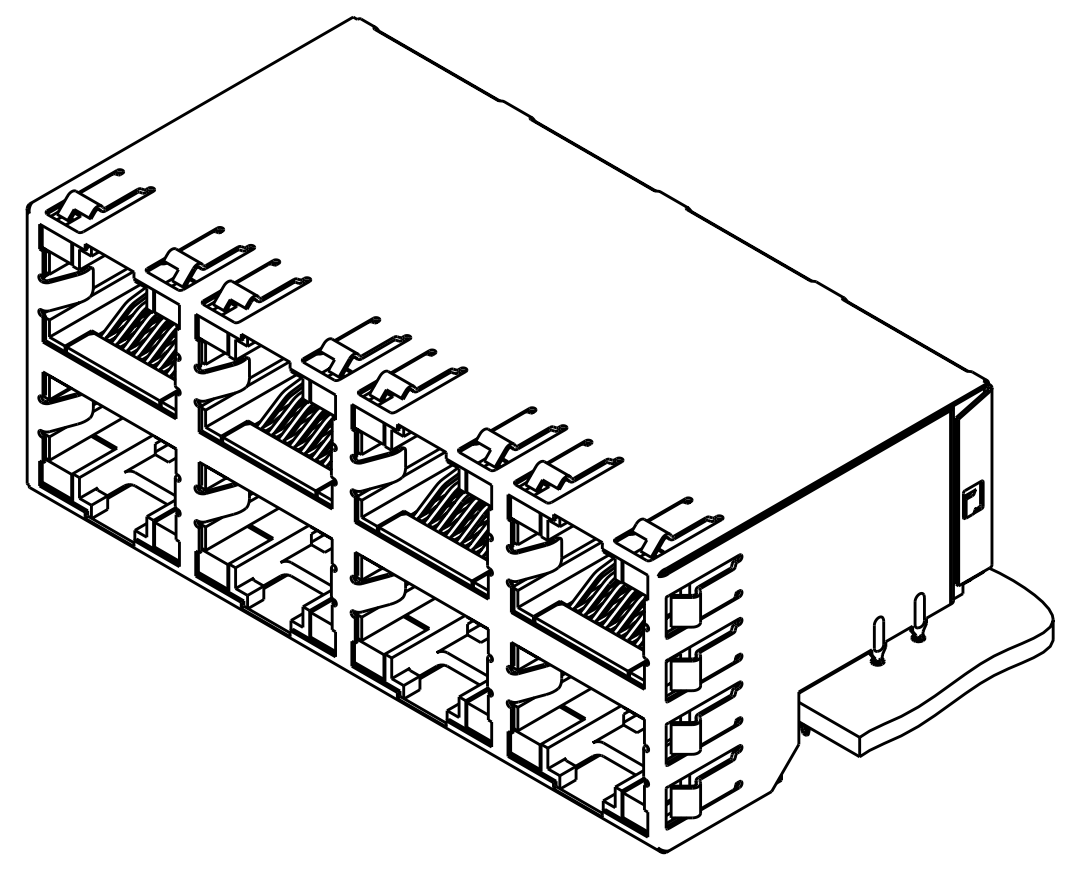
PARTIAL BACK VIEW



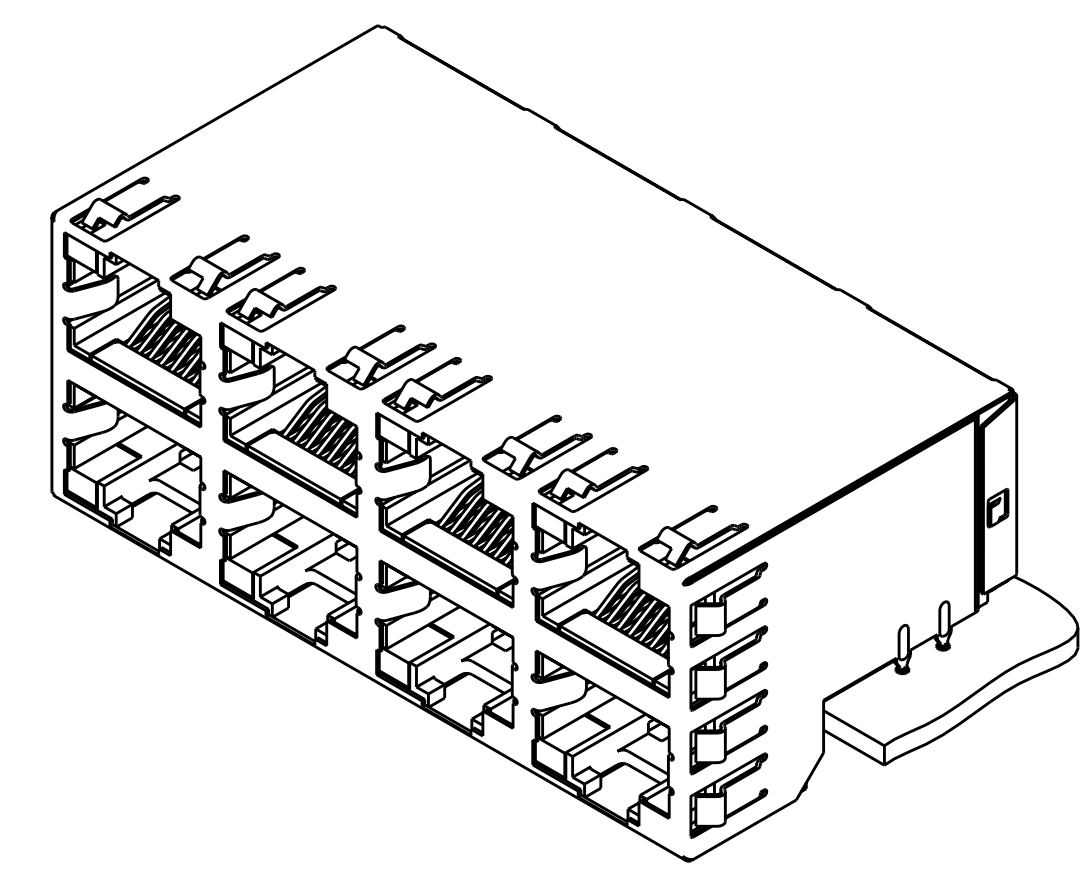
LED CURRENT DIAGRAM
6368062-4, -7



LED CIRCUIT DIAGRAM
6368062-6



PN 6368062-1, -2, -3, -4, -5, -6,
AND 1-6368062-6
SCALE 2:1

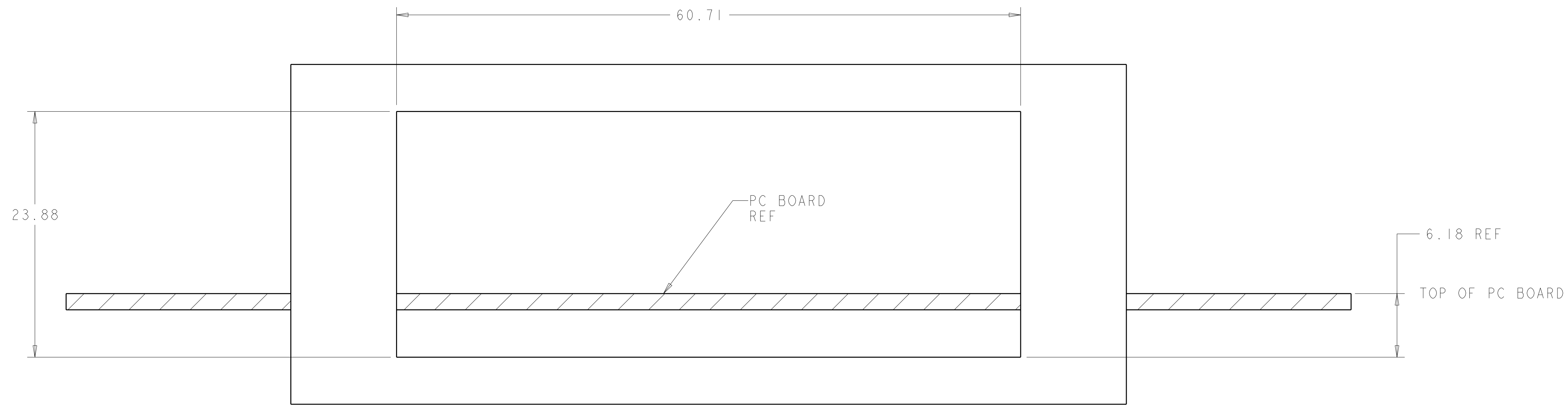


PN 6368062-7
SCALE 2:1

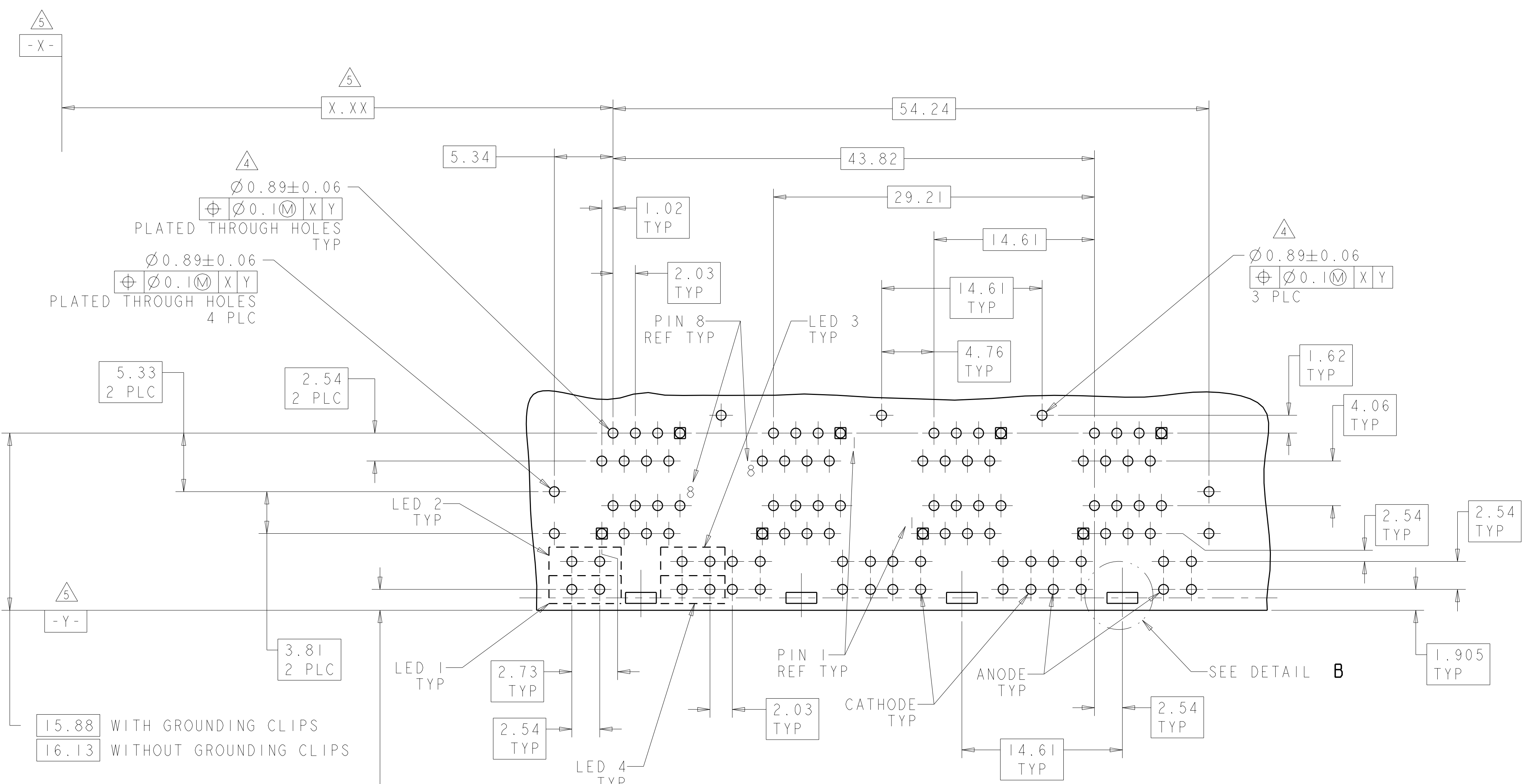
REMARKS	LED #4 (LOWER-RIGHT)	LED #3 (UPPER-RIGHT)	LED #2 (UPPER-LEFT)	LED #1 (LOWER-LEFT)	DESCRIPTION	PART NUMBER
	YELLOW	YELLOW	GREEN	GREEN	WITHOUT GROUND CLIP	1-6368062-6
	N/A	N/A	GREEN/YELLOW	GREEN/YELLOW	WITHOUT GROUND CLIP	6368062-7 ¹⁰
	RED/GREEN	RED/GREEN	RED/GREEN	RED/GREEN	WITH GROUND CLIP	6368062-6
	GREEN	GREEN	GREEN	GREEN	WITH GROUND CLIP	6368062-5
	GREEN/YELLOW	GREEN/YELLOW	GREEN/YELLOW	GREEN/YELLOW	WITH GROUND CLIP	6368062-4
	YELLOW	YELLOW	GREEN	GREEN	WITHOUT GROUND CLIP	6368062-3
	GREEN	GREEN	GREEN	GREEN	WITH GROUND CLIP	6368062-2
	GREEN	GREEN	GREEN	GREEN	WITHOUT GROUND CLIP	6368062-1

LOC	DIST	REV	DATE	BY	APPD
AA	22				

REVISIONS			
REV	DATE	BY	APPD
-	-	-	-
-	-	-	-

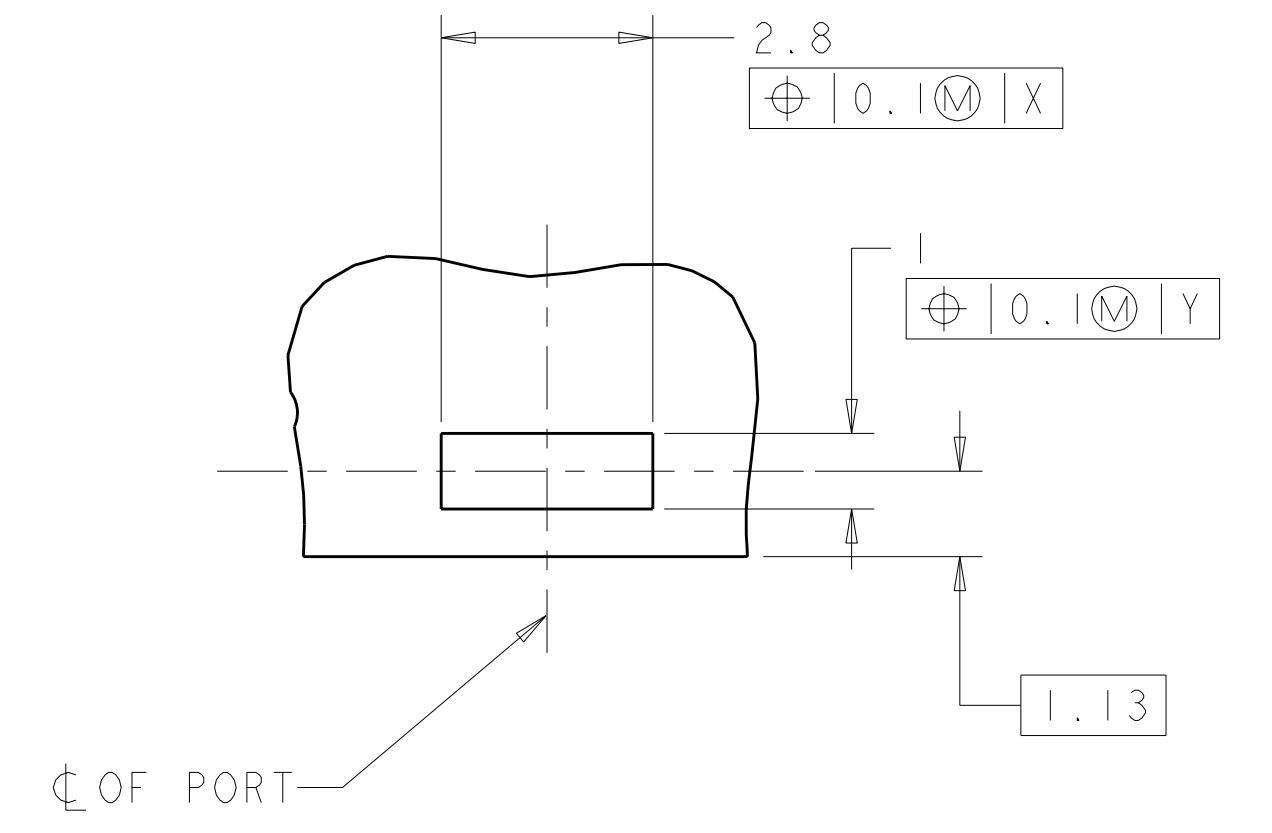


RECOMMENDED PANEL CUT-OUT



PARTS WITH GROUNDING CLIPS = 1.65
 PARTS WITHOUT GROUNDING CLIPS = 1.91

PC BOARD LAYOUT
 (COMPONENT SIDE)
 LED #3, #4 NOT REQUIRED FOR 6368062-7



DETAIL B
 PLATED PADS REQUIRED FOR 6368062-2, -4, -5 & -6
 (PRODUCT WITH GROUNDING CLIPS)
 SCALE 10:1
 4 PLACES

DIMENSIONS: mm 		TOLERANCES UNLESS OTHERWISE SPECIFIED: 0 PLC ± 1 PLC ±0.13 2 PLC ±0.13 3 PLC ± 4 PLC ± ANGLES ±1		DWN L.A.MAYER 15APR2005 CHK J.WESTMAN 15APR2005 APVD S.FLICKINGER 15APR2005 PRODUCT SPEC 108-1854 APPLICATION SPEC 114-2160 WEIGHT - CUSTOMER DRAWING		Tyco Electronics Corporation Harrisburg, PA 17105-3608 NAME STACKED MODULAR JACK ASSEMBLY, 2x4 OFFSET, WITH LEDS, 8 POSN, RJ45 SHIELDED, PANEL GROUNDS, CAT 5 SIZE CAGE CODE DRAWING NO. RESTRICTED TO A1100779 C=6368062 SCALE 4:1 SHEET 2 OF 2 REV C1	
-----------------------	--	--	--	---	--	--	--